

YDS-VM01-GC0308 V1.0

0.3MP GalaxyCore GC0308 DVP-Parallelschnittstellen-Kameramodul mit festem Fokus



Vorderansicht



Rückansicht

Spezifikationen

| | |
|---------------------------------|--------------------------------------|
| Kameramodul Nr. | YDS-VM01-GC0308 V1.0 |
| Auflösung | 0.3MP |
| Bildsensor | GC0308 |
| Sensorart | 1/6.5" |
| Pixel Größe | 3.4 um x 3.4 um |
| EFL | 1.84 mm |
| F.NO | 2.55 |
| Pixel | 640 x 480 |
| Betrachtungswinkel | 120.0°(DFOV) 92.0°(HFOV) 65.0°(VFOV) |
| Linsenabmessungen | 8.00 x 8.00 x 12.50 mm |
| Modulgröße | 26.00 x 12.50 mm |
| Modultyp | Fester Fokus |
| Schnittstelle | DVP-Parallel |
| Autofokus-VCM-Treiber-IC | Keiner |
| Objektivtyp | 650 nm IR-Schnitt |
| Betriebstemperatur | -30°C to +80°C |
| Gegenstecker | FH12-24S-0.5SH |

YDS-VM01-GC0308 V1.0

0.3MP GalaxyCore GC0308 DVP-Parallelschnittstellen-Kameramodul mit festem Fokus



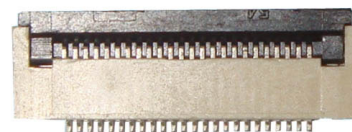
Ansicht von oben



Seitenansicht



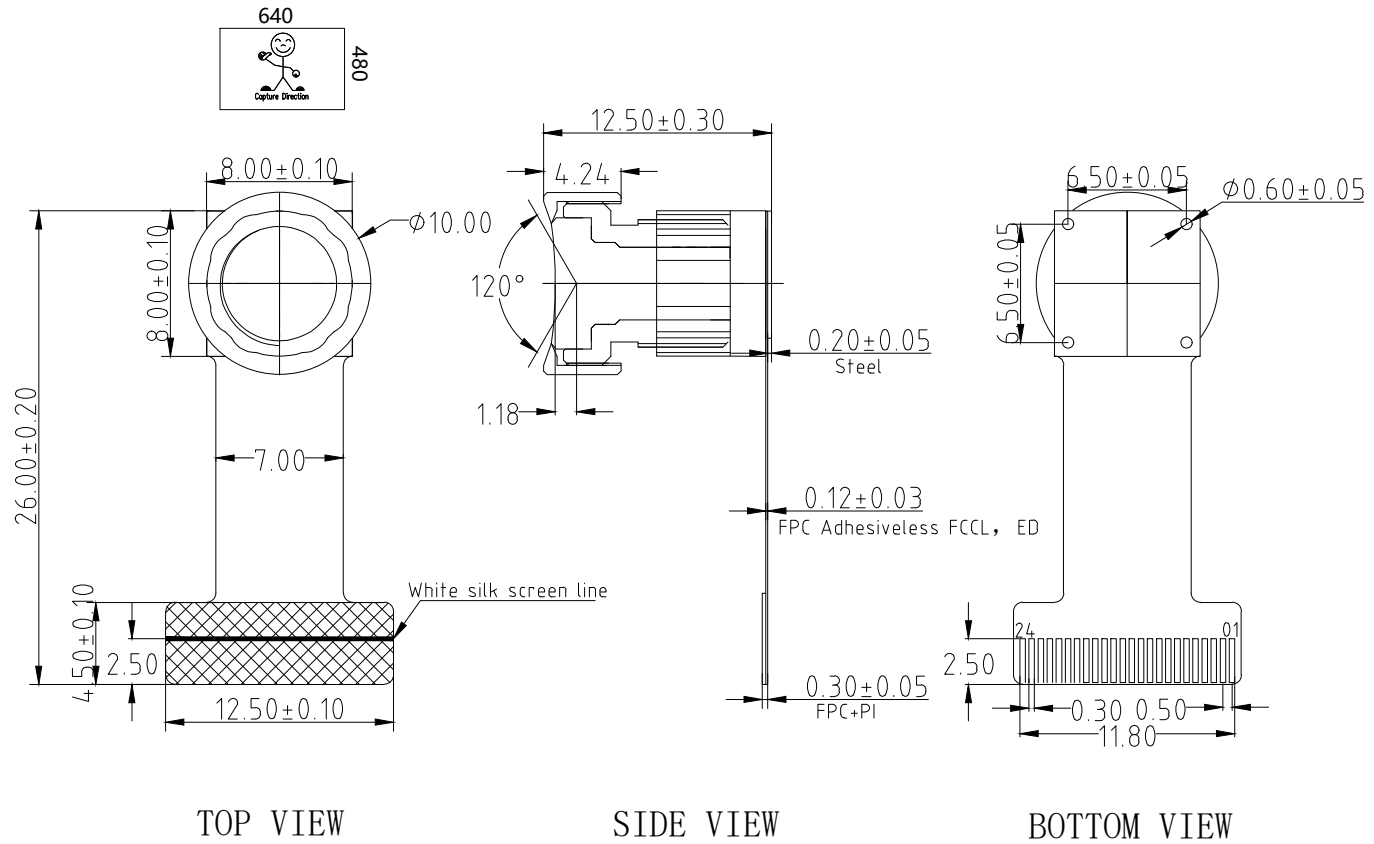
Untersicht



Gegenstecker

| RoHS | |
|------|-----------|
| PIN | SIGNAL |
| 1 | NC |
| 2 | AGND |
| 3 | SIO_D |
| 4 | NC |
| 5 | SIO_C |
| 6 | RESET |
| 7 | VSYN |
| 8 | PWDN |
| 9 | HREF |
| 10 | NC |
| 11 | DVDD 2.8V |
| 12 | D7 |
| 13 | XCLK |
| 14 | D6 |
| 15 | DGND |
| 16 | D5 |
| 17 | PCLK |
| 18 | D4 |
| 19 | D0 |
| 20 | D3 |
| 21 | D1 |
| 22 | D2 |
| 23 | NC |
| 24 | NC |

| Version | Information | Date |
|---------|---------------|------------|
| V1.0 | First Version | 12-10-2020 |



Parameter:

1、Sensor specification:

Image Sensor: GC0308
 Pixel: $3.4\mu\text{m} \times 3.4\mu\text{m}$
 Lens Type: 1/6.5
 Important Voltage Description: DVDD2.8V (external power supply);

2、Lens specification:

FOV: $120^\circ(\text{D}); 92^\circ(\text{H}); 65^\circ(\text{V})$
 F/N0.: 2.55
 TV distortion: $< -13.5\%$
 Focal length: 1.84mm
 Composition: 5G+IR FILTER
 IR Cut Coating: $650\text{nm} \pm 10\text{nm} @ 50\%$

| | | | | | |
|-------------|-----------|------------------|------------------|-----------------|--------|
| Designed By | Kevin | Model Name: | VM01-GC0308 V1.0 | | |
| Checked By | Aouly_Yan | Projection Type: | Unit: | Material: ----- | |
| | | Third Angle | mm | Scale: | Sheet: |
| | | | 1:1 | 1 of 1 | 1/0 |



**1/6.5” VGA CMOS Image Sensor
GC0308**

DataSheet

Only for FAE

2010-01-28

GalaxyCore Inc.

1. Sensor Overview

1.1 General Description

The GC0308 features 640V x 480H resolution with 1/6.5-inch optical format, and 4-transistor pixel structure for high image quality and low noise variations. It delivers superior image quality by powerful on-chip design of a 10-bit ADC, and embedded image signal processor.

The full scale integration of high-performance and low-power functions makes the GC0308 best fit the design, reduce implementation process, and extend the battery life of cell phones, PDAs, and a wide variety of mobile applications.

The on-chip ISP provides a very smooth AE (Auto Exposure) and accurate AWB (Auto White Balance) control. It provides various data formats, such as Bayer RGB, RGB565, YCbCr 4:2:2. It has a commonly used two-wire serial interface for host to control the operation of the whole sensor.

The product is capable of operating at up to 30 frames per second at 24MHZ clock in VGA mode, with complete user control over image quality and data formatting.

1.2 Features

- ◆ Standard optical format of 1/6.5 inch
- ◆ Various output formats: YCbCr4:2:2, RGB565, Raw Bayer
- ◆ Single power supply requirement (2.8v)
- ◆ Windowing support
- ◆ Horizontal /Vertical mirror
- ◆ Image processing module
- ◆ Package: CSP

1.3 Application

- ◆ Cellular Phone Cameras
- ◆ Notebook and desktop PC cameras
- ◆ PDAs
- ◆ Toys
- ◆ Digital still cameras and camcorders
- ◆ Video telephony and conferencing equipments
- ◆ Security systems
- ◆ Industrial and environmental systems
- ◆ Bar code reader

1.4 Technical Specifications

| Parameter | Typical value |
|-----------------------------------|--------------------------|
| Optical Format | 1/6.5 inch |
| Pixel Size | 3.4um x 3.4um |
| Active pixel array | 648 x 488 |
| ADC resolution | 10 bit ADC |
| Max Frame rate | 30fps@24Mhz,VGA |
| Power Supply | 2.7 ~ 3.3V, typical 2.8V |
| Power Consumption | TBD |
| SNR | TBD |
| Dark Current | TBD |
| Sensitivity | TBD |
| Operating temperature: | -30~80°C |
| Stable Image temperature | -10~60°C |
| Optimal lens chief ray angle(CRA) | 27° |
| Package type | CSP |

0.5mm and 1mm Pitch Connectors For FPC/FFC

FH12 Series



■ Features

1. Ease of Use and Space Savings

Only one finger or 6.9N (Newtons) of force is required to lock Hirose's rotational actuator (flip-lock) as compared to using 2 fingers and 39.2N to close a FFC/FPC connector from our competition.

The Flip-Lock design also allows customers to place 2 or more connectors side by side as there is no need to waste additional board space for a side latch.

2. Strengthened Flip-lock Actuator

The standard Flip-Lock requires only 2.0mm height above the board. A strengthened lock lever is available which only requires an additional 0.4mm.

3. Supports Thin FPC (0.18mm)

Hirose does not require double-sided FPC to have any additional strengthening plate or stiffener and can therefore support a thickness of as little as 0.18mm +/- 0.05.

4. Hirose Ensures Reliability

Hirose's patented half tuning fork contacts maintain the required normal force without relying on the connector housing. With our competitor's conventional products the housing walls support the contact force, which does not provide for long-term reliability.

5. Prevention of Solder Bridge

Excess solder cavity absorbs excessive solder and avoids solder bridging.

6. Three different assembly types

FH12 is offered in Top & Bottom Contact and Vertical Mount and offered in both a 0.5mm contact pitch as well as a 1.0mm contact pitch (bottom contact only).

■ Applications

Notebook computers, printers, PDAs, digital cameras and other compact devices for interconnecting the main circuit board with the LCD, HDD or other device.

Rotating One-touch Mechanism

①



②



③



Product Specifications

| | | | |
|--------|---------------------------------|----------------------------------------------------------------------|--------------------------------------------------------------------|
| Rating | Current rating: 0.5A DC(Note 1) | Operating Temperature Range: -40 to +70°C (Note 2) | Storage Temperature Range: -10 to +50°C (Note 3) |
| | Voltage rating: 50V AC | Operating Humidity Range: Relative humidity, 90% max. (Not dewed) | Storage Humidity Range: Relative humidity, 90% max. (Not dewed) |

| | | |
|----------------|------------------------|----------------------------------|
| Applicable FPC | t=0.3±0.05 Gold plated | t=0.18 ± 0.05 for FH12F-*S-0.5SH |
|----------------|------------------------|----------------------------------|

| Item | Specification | Conditions |
|--------------------------------------|---------------------------------------------------------------------------------------------------------------------------------|--------------------------------------------------------------------------------------------------------------------|
| 1. Insulation resistance | 500M ohms minimum | 100V DC |
| 2. Withstanding voltage | No flashover or insulation breakdown. | 150V AC/1 minute |
| 3. Contact resistance | 50m ohms maximum | 1mA |
| 4. Durability (Insertion/withdrawal) | Contact resistance: 50m ohms maximum No damage, cracks, or parts dislocation. | 20 cycles |
| 5. Vibration | No electrical discontinuity of 1μs or more Contact resistance: 50m ohms maximum. No damage, cracks, or parts dislocation. | Frequency: 10 to 55 Hz, single amplitude of 0.75 mm, 2 hours in each of the 3 directions. |
| 6. Shock | No electrical discontinuity of 1μs or more Contact resistance: 50m ohms maximum. No damage, cracks, or parts dislocation. | Acceleration of 490 m/s ² , 11 ms duration, sine half-wave waveform, 3 cycles in each of the 3 axis. |
| 7. Humidity(Steady state) | Contact resistance: 50m ohms maximum. Insulation resistance: 50M ohms minimum. No damage, cracks, or parts dislocation. | 96 hours at 40°C and humidity of 90% to 95% |
| 8. Temperature Cycle | Contact resistance: 50m ohms maximum. Insulation resistance: 50M ohms minimum. No damage, cracks, or parts dislocation. | Temperature: -40°C → 15 to 35°C → 85°C → 15 to 35°C, Time: 30 → 5 max. → 30 → 5 max.(minutes) 5 cycles |
| 9. Resistance to Soldering heat | No deformation of components affecting performance. | Reflow: At the recommended temperature profile Manual soldering: 350±5°C for 3 seconds |

Note 1: When passing the current through all of the contacts, use 70% of the current rating.

Note 2: Includes temperature rise caused by current flow.

Note 3: The term "storage" refers to products stored for long period of time prior to mounting and use. Operating Temperature Range and Humidity range covers nonconducting condition of installed connectors in storage, shipment or during transportation.

Material

| Part | Material | Finish | Remarks |
|----------------|-------------------------|--------------------|---------|
| Insulator | Polyamide, LCP(60 pos.) | Color : Beige | UL94V-0 |
| Actuator | PPS | Color : Dark brown | |
| Contact | Phosphor bronze | Gold plated | |
| Metal Fittings | Brass | Tin plated | |

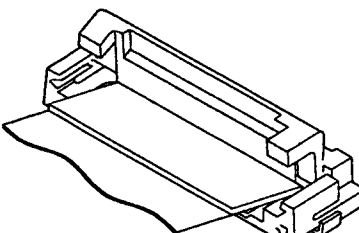
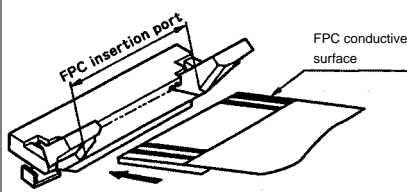
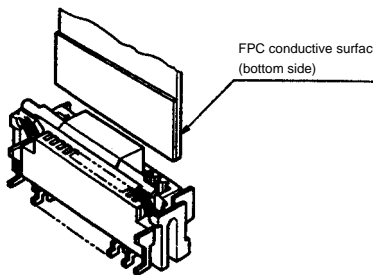
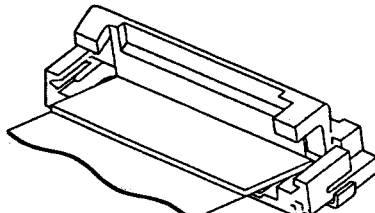
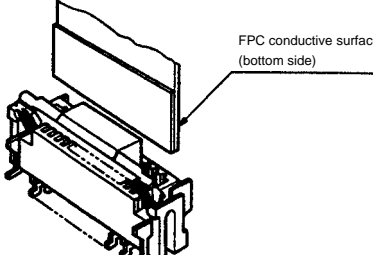
Ordering Information

FH12 **A** - **10** (**4**) - **S** **A** - **0.5** **SH** (**55**)
 ① ② ③ ④ ⑤ ⑥ ⑦ ⑧ ⑨

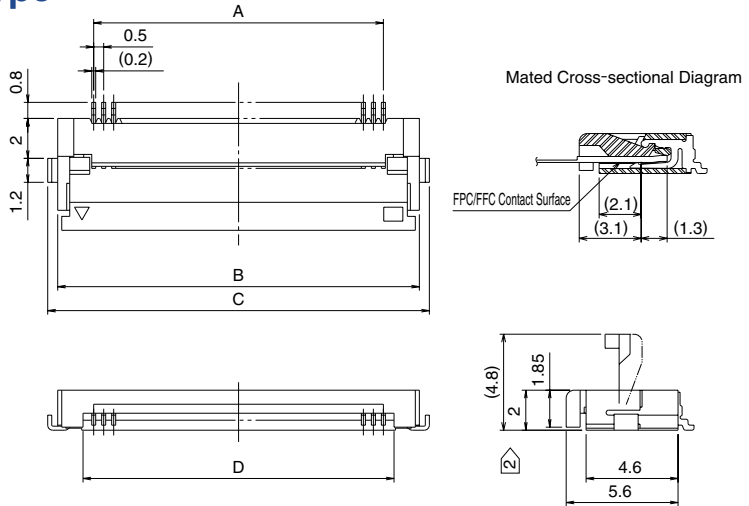
| | |
|--------------------------------------------------------------------------------------------------------------------------------------------|----------------------------------------------------------------------------------------|
| ① Series Name : FH12 | ⑤ Contact alignment: Single |
| ② Blank : standard type A : Top contact type S : Type with strengthened flip-lock actuator F : Type with 0.18mm FPC End Thickness | ⑥ Eccentric direction: Blank : standard type A : Eccentric type |
| ③ Standard type : Number of contacts Eccentric type : Number of contacts in 0.5mm housing | ⑦ Contacts Pitch : 0.5mm, 1mm |
| ④ Standard type : Blank Eccentric type : Number of contacts | ⑧ Contact type SH : SMT horizontal mounting type SV : SMT vertical mounting type |
| | ⑨ Plating specification (55) : Gold plated |

FH12 Series 0.5mm and 1mm Pitch Connectors For FPC/FPC

Series Configuration

| Pitch | Bottom Contact Type | Top Contact Type | Vertical mounting Type |
|-------|--------------------------------------------------------------------------------------------------------------------------------------------------------------------------------------------------------------------------------------------------------------------------------------------------------------------------------------------------|-----------------------------------------------------------------------------------------------------------------------------------------|-----------------------------------------------------------------------------------------------------------------------------------|
| 0.5mm |  <p>FH12- ** S-0.5SH P.12 Number of contacts 6, 8, 10, 11, 12, 13, 14, 15, 16, 17, 18, 19, 20, 22, 24, 25, 26, 28, 30, 32, 33, 34, 35, 36, 40, 45, 50, 53</p> |  <p>FPC insertion port FPC conductive surface</p> |  <p>FPC conductive surface (bottom side)</p> |
| | Type with Strengthened Lock Lever | | |
| | <p>FH12S- ** S-0.5SH P.13 Number of contacts 30, 40, 45, 50, 53</p> | | |
| | Type with 0.18mm FPC End Thickness | | |
| | <p>FH12F- ** S-0.5SH P.14 Number of contacts 6, 8, 10, 12, 13, 14, 15, 16, 18, 20, 22, 24, 25, 26, 28, 30, 32, 34, 36, 40</p> | | |
| 1mm |  | |  <p>FPC conductive surface (bottom side)</p> |
| | <p>Standard FH12- ** S-1SH P.18 Eccentric FH12- ** (***) SA-1SH Standard Number of contacts 5, 6, 7, 8, 9, 11, 12, 16, 17, 22, 26 Eccentric Number of contacts 4, 6, 8, 10, 11, 14, 19, 24</p> | | |

0.5mm Pitch Bottom Contact Type



Unit:mm

| Part Number | CL No. | Number of Contacts | A | B | C | D | RoHS |
|---------------------------|---------------|--------------------|------|------|------|-------|------|
| FH12- 6S-0.5SH(55) | 586-0582-5-55 | 6 | 2.5 | 6.1 | 7.1 | 3.57 | YES |
| FH12- 8S-0.5SH(55) | 586-0744-5-55 | 8 | 3.5 | 7.1 | 8.1 | 4.57 | |
| FH12-10S-0.5SH(55) | 586-0522-3-55 | 10 | 4.5 | 8.1 | 9.1 | 5.57 | |
| FH12-11S-0.5SH(55) | 586-0600-5-55 | 11 | 5 | 8.6 | 9.6 | 6.07 | |
| FH12-12S-0.5SH(55) | 586-0704-0-55 | 12 | 5.5 | 9.1 | 10.1 | 6.57 | |
| FH12-13S-0.5SH(55) | 586-0549-0-55 | 13 | 6 | 9.6 | 10.6 | 7.07 | |
| FH12-14S-0.5SH(55) | 586-0533-0-55 | 14 | 6.5 | 10.1 | 11.1 | 7.57 | |
| FH12-15S-0.5SH(55) | 586-0523-6-55 | 15 | 7 | 10.6 | 11.6 | 8.07 | |
| FH12-16S-0.5SH(55) | 586-0531-4-55 | 16 | 7.5 | 11.1 | 12.1 | 8.57 | |
| FH12-17S-0.5SH(55) | 586-0606-1-55 | 17 | 8 | 11.6 | 12.6 | 9.07 | |
| FH12-18S-0.5SH(55) | 586-0530-1-55 | 18 | 8.5 | 12.1 | 13.1 | 9.57 | |
| FH12-19S-0.5SH(55) | 586-0534-2-55 | 19 | 9 | 12.6 | 13.6 | 10.07 | |
| FH12-20S-0.5SH(55) | 586-0524-9-55 | 20 | 9.5 | 13.1 | 14.1 | 10.57 | |
| FH12-22S-0.5SH(55) | 586-0532-7-55 | 22 | 10.5 | 14.1 | 15.1 | 11.57 | |
| FH12-24S-0.5SH(55) | 586-0521-0-55 | 24 | 11.5 | 15.1 | 16.1 | 12.57 | |
| FH12-25S-0.5SH(55) | 586-0692-3-55 | 25 | 12 | 15.6 | 16.6 | 13.07 | |
| FH12-26S-0.5SH(55) | 586-0576-2-55 | 26 | 12.5 | 16.1 | 17.1 | 13.57 | |
| FH12-28S-0.5SH(55) | 586-0612-4-55 | 28 | 13.5 | 17.1 | 18.1 | 14.57 | |
| Note ② FH12-30S-0.5SH(55) | 586-0525-1-55 | 30 | 14.5 | 18.1 | 19.1 | 15.57 | |
| FH12-32S-0.5SH(55) | 586-0681-7-55 | 32 | 15.5 | 19.1 | 20.1 | 16.57 | |
| FH12-33S-0.5SH(55) | 586-0520-8-55 | 33 | 16 | 19.6 | 20.6 | 17.07 | |
| FH12-34S-0.5SH(55) | 586-0617-8-55 | 34 | 16.5 | 20.1 | 21.1 | 17.57 | |
| FH12-35S-0.5SH(55) | 586-0740-4-55 | 35 | 17.0 | 20.6 | 21.6 | 18.07 | |
| FH12-36S-0.5SH(55) | 586-0526-4-55 | 36 | 17.5 | 21.1 | 22.1 | 18.57 | |
| Note ② FH12-40S-0.5SH(55) | 586-0527-7-55 | 40 | 19.5 | 23.1 | 24.1 | 20.57 | |
| Note ② FH12-45S-0.5SH(55) | 586-0528-0-55 | 45 | 22 | 25.6 | 26.6 | 23.07 | |
| Note ② FH12-50S-0.5SH(55) | 586-0529-2-55 | 50 | 24.5 | 28.1 | 29.1 | 25.57 | |
| Note ② FH12-53S-0.5SH(55) | 586-0595-7-55 | 53 | 26 | 29.6 | 30.6 | 27.07 | |

Note 1 : Embossed tape reel packaging (2,000 pieces/reel).
 Order by number of reels.

Note ② : If there is no problem with the connector height, we recommend the type with the strengthened Flip-lock actuator (FH12S-*S-0.5SH).
 Standard type connector height: 2 mm
 Connector height of type with strengthened Flip-lock actuator: 2.4 mm

Kameraanwendungen



Autopilot



Live-Streaming



Videokonferenz



Biometrische Eye-Tracker-Erkennung



Maschinelles Sehen



Agrarmonitor



Nachtsichtsicherheit



Drohnen- und Sport-Adleraugen



Interaktive Haustierkamera



YDS CAMERA MODULE

your best camera partner

Referenztable für die Pinbelegungsdefinition des Kameramoduls

| OmniVision Sony Himax Samsung On-Semi Aptina Himax GalaxyCore PixArt Bildsensoren | |
|-----------------------------------------------------------------------------------|---------------------------------------------------------|
| Pin Signal | Beschreibung |
| DGND GND | Masse für digitale Schaltung |
| AGND | Masse für analoge Schaltung |
| PCLK DCK | DVP-PCLK-Ausgang |
| XCLR PWDN XSHUTDOWN STANDBY | Abschalten aktiv hoch mit internem Pulldown-Widerstand |
| MCLK XVCLK XCLK INCK | Systemeingangsuhr |
| RESET RST | Aktiv Low mit internem Pull-up-Widerstand zurücksetzen |
| NC NULL | keine Verbindung |
| SDA SIO_D SIOD | SCCB-Daten |
| SCL SIO_C SOIC | SCCB-Eingangstakt |
| VSYNC XVS FSYNC | DVP-VSYNC-Ausgang |
| HREF XHS | DVP-HREF-Ausgang |
| DOVDD | Strom für E/A-Schaltung |
| AFVDD | Strom für VCM-Schaltung |
| AVDD | Strom für analoge Schaltung |
| DVDD | Strom für digitale Schaltung |
| STROBE FSTROBE | Strobe-Ausgang |
| FSIN | Synchronisieren Sie das VSYNC-Signal vom anderen Sensor |
| SID | SCCB letzte Bit-ID-Eingabe |
| ILPWM | mechanische Shutter-Ausgangsanzeige |
| FREX | Rahmenbelichtung / mechanischer Verschluss |
| GPIO | Allzweckeingänge |
| SLASEL | I2C-Slave-Adresse auswählen |
| AFEN | CEN-Chip aktivieren aktiv hoch auf VCM-Treiber-IC |
| MIPI Schnittstelle | |
| MDN0 DN0 MD0N DATA_N DMO1N | MIPI 1st negative Ausgabe der Datenspur |
| MDP0 DP0 MD0P DATA_P DMO1P | MIPI 1st positiver Ausgang der Datenspur |
| MDN1 DN1 MD1N DATA2_N DMO2N | MIPI 2nd negative Ausgabe der Datenspur |
| MDP1 DP1 MD1P DATA2_P DMO2P | MIPI 2nd positiver Ausgang der Datenspur |
| MDN2 DN2 MD2N DATA3_N DMO3N | MIPI 3rd negative Ausgabe der Datenspur |
| MDP2 DP2 MD2P DATA3_P DMO3P | MIPI 3rd positiver Ausgang der Datenspur |
| MDN3 DN3 MD3N DATA4_N DMO4N | MIPI 4th negative Ausgabe der Datenspur |
| MDP3 DP3 MD3P DATA4_P DMO4P | MIPI 4th positiver Ausgang der Datenspur |
| MCN CLKN CLK_N DCKN | MIPI Uhr negativer Ausgang |
| MCP CLKP MCP CLK_P DCKN | MIPI Takt positiver Ausgang |
| DVP Parallel Schnittstelle | |
| D0 DO0 Y0 | DVP Datenausgabeport 0 |
| D1 DO1 Y1 | DVP Datenausgabeport 1 |
| D2 DO2 Y2 | DVP Datenausgabeport 2 |
| D3 DO3 Y3 | DVP Datenausgabeport 3 |
| D4 DO4 Y4 | DVP Datenausgabeport 4 |
| D5 DO5 Y5 | DVP Datenausgabeport 5 |
| D6 DO6 Y6 | DVP Datenausgabeport 6 |
| D7 DO7 Y7 | DVP Datenausgabeport 7 |
| D8 DO8 Y8 | DVP Datenausgabeport 8 |
| D9 DO9 Y9 | DVP Datenausgabeport 9 |
| D10 DO10 Y10 | DVP Datenausgabeport 10 |
| D11 DO11 Y11 | DVP Datenausgabeport 11 |

www.YDSCAM.com sales@ydscam.com Phone (WeChat, QQ): (+86) 177 2732 6718

All rights reserved @ YingDeShun Co. Ltd. Specifications subject to change without notice.

Kamera-Zuverlässigkeitstest

| Zuverlässigkeitsprüfpunkt | | Testmethode | Akzeptanzkriterium | |
|---------------------------|------------------------------------|---------------------------------------------------------------------|---------------------------|---------------------------|
| Kategorie | Artikel | | | |
| Umwelt | Lager Temperatur | Hoch 60°C 96 Std | Temperaturkammer | Keine anormale Situation |
| | | Niedrig -20°C 96 Std | Temperaturkammer | Keine anormale Situation |
| | Betriebs Temperatur | Hoch 60°C 24 Std | Temperaturkammer | Keine anormale Situation |
| | | Niedrig -20°C 24 Std | Temperaturkammer | Keine anormale Situation |
| | Feuchtigkeit | 60°C 80% 24 Std | Temperaturkammer | Keine anormale Situation |
| | Thermischer Schock | Hoch 60°C 0.5 Std Niedrig -20°C 0.5 Std Radfahren rein 24 Std | Temperaturkammer | Keine anormale Situation |
| Physisch | Falltest (Im freien Fall) | Ohne Verpackung 60cm | 10 Mal auf Holzboden | Elektrisch funktionsfähig |
| | | Mit Paket 60cm | 10 Mal auf Holzboden | Elektrisch funktionsfähig |
| | Vibrations Test | 50Hz X-Axis 2mm 30 Minuten | Vibrationstisch | Elektrisch funktionsfähig |
| | | 50Hz Y-Axis 2mm 30 Minuten | Vibrationstisch | Elektrisch funktionsfähig |
| | | 50Hz Z-Axis 2mm 30 Minuten | Vibrationstisch | Elektrisch funktionsfähig |
| | Zugfestigkeit des Kabels Krafttest | Gewicht laden 4 kg 60 Sekunden Radfahren rein 24 Std | Zugprüfmaschine | Elektrisch funktionsfähig |
| Elektrisch | ESD-Test | Kontaktaufnahme 2 KV | ESD-Prüfmaschine | Elektrisch funktionsfähig |
| | | Luftentladung 4 KV | ESD-Prüfmaschine | Elektrisch funktionsfähig |
| | Alterungstest | On/Off 30 Sekunden Radfahren rein 24 Std | Stromschalter | Elektrisch funktionsfähig |
| | USB-Anschluss | On/Off 250 Mal | Einstecken und ausstecken | Elektrisch funktionsfähig |



Kamerainspektionsstandard

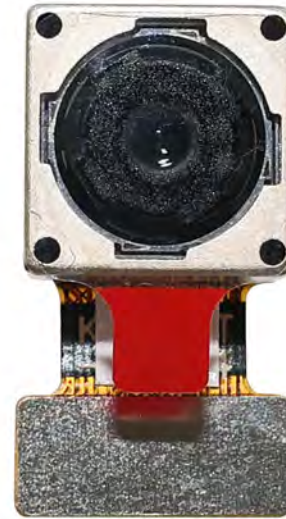
| Inspektionsgegenstand | | Untersuchungsmethode | Inspektionsstandard | |
|-----------------------|--------------|--------------------------|------------------------------|---------------------------------------------------------------------|
| Kategorie | Artikel | | | |
| Aussehen | FPC oder PCB | Farbe | Das bloße Auge | Größere Unterschiede sind nicht zulässig. |
| | | Zerrissen/gehackt werden | Das bloße Auge | Das Freilegen von Kupferrissen ist nicht zulässig. |
| | | Markierung | Das bloße Auge | Klar, erkennbar (innerhalb von 30 cm Entfernung) |
| | Halterin | Kratzer | Das bloße Auge | Die Freilegung von Rissen im Inneren ist nicht zulässig |
| | | Lücke | Das bloße Auge | Erfüllen Sie den Höhenstandard |
| | | Schraube | Das bloße Auge | Stellen Sie sicher, dass Schrauben vorhanden sind (falls vorhanden) |
| | | Schaden | Das bloße Auge | Die Freilegung von Rissen im Inneren ist nicht zulässig |
| | Linse | Kratzen | Das bloße Auge | Keine Auswirkung auf den Auflösungsstandard |
| | | Kontamination | Das bloße Auge | Keine Auswirkung auf den Auflösungsstandard |
| | | Ölfilm | Das bloße Auge | Keine Auswirkung auf den Auflösungsstandard |
| | | Abdeckband | Das bloße Auge | Kein Problem beim Aussehen. |
| | Funktion | Bild | Keine Kommunikation | Testboard |
| Helles Pixel | | | Tafel | Im Image Center nicht erlaubt |
| Dunkles Pixel | | | Weißer Tafel | Im Image Center nicht erlaubt |
| Verschwommen | | | Das bloße Auge | Nicht erlaubt |
| Kein Bild | | | Das bloße Auge | Nicht erlaubt |
| Vertikale Linie | | | Das bloße Auge | Nicht erlaubt |
| Horizontale Linie | | | Das bloße Auge | Nicht erlaubt |
| Kleines Leck | | | Das bloße Auge | Nicht erlaubt |
| Blinkendes Bild | | | Das bloße Auge | Nicht erlaubt |
| Prellung | | | Inspektionslehre | Nicht erlaubt |
| Auflösung | | | Diagramm | Folgt dem Diagrammstandard für ausgehende Inspektionen |
| Farbe | | | Das bloße Auge | Kein Problem |
| Lärm | | | Das bloße Auge | Nicht erlaubt |
| Ecke dunkel | | | Das bloße Auge | Weniger als 100 x 100 Pixel |
| Farbauflösung | | | Das bloße Auge | Kein Problem |
| Abmessungen | Höhe | Das bloße Auge | Befolgt Zulassungsdatenblatt | |
| | Breite | Das bloße Auge | Befolgt Zulassungsdatenblatt | |
| | Länge | Das bloße Auge | Befolgt Zulassungsdatenblatt | |
| | Gesamt | Das bloße Auge | Befolgt Zulassungsdatenblatt | |

YDSCAM Paketlösungen

YDSCAM Kameramodul



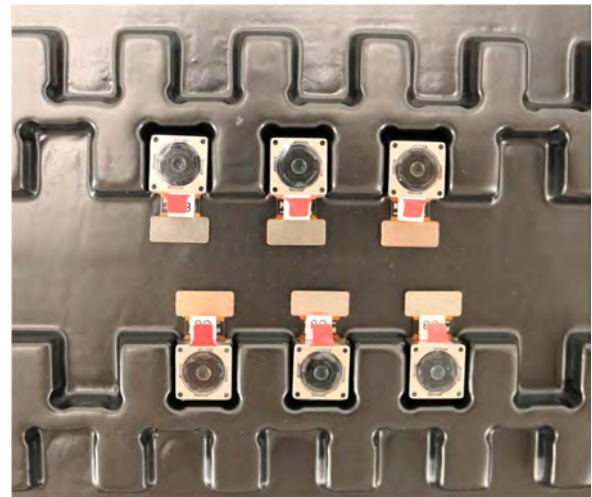
Komplett mit Linsenschutzfolie



Tablett mit Gitter und Raum



Legen Sie die Kameras auf das Tablett

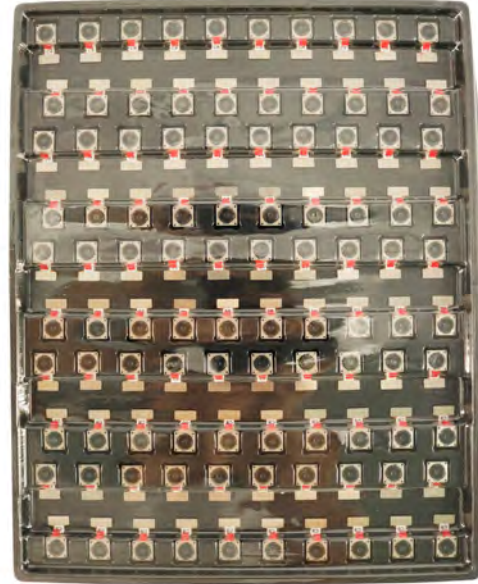


YDSCAM Paketlösungen

Volles Fach mit Kameras



Decken Sie das Tablett mit dem Deckel ab



Legen Sie das Tablett in den antistatischen Beutel



Staubsaugen Sie den antistatischen Beutel



YDSCAM Paketlösungen

Versiegelter antistatischer Vakuumbbeutel mit Etiketten

1. Modell und Beschreibung 2. Menge 3. Herstellungsdatumscode 4. Achtung



YDSCAM Paketlösungen

Legen Sie Schaumstoffplatten zwischen die Tablettbeutel



Schaumstoffplatten sind größer als Tablettbeutels



Legen Sie Schaumstoffplatten und Tablettbeutels in den Karton



Die Schaumstoffplatten sitzen fest im Karton



Verschließen Sie die Carbon Box



Beschriften Sie den Carbon-Versandkarton



YDSCAM Paketlösungen

USB-Kameramodul

Komplett mit Objektivschutzfolie



Legen Sie die Kameraprobe in den antistatischen Beutel

Legen Sie USB-Kameras in das Fach



Verschließen Sie das Tablett mit einem antistatischen Beutel

Beschriften Sie den Carbon-Versandkarton



YDSCAM Paketlösungen

Legen Sie die Kameraprobe in den antistatischen Beutel



Legen Sie die Steckverbinder in den antistatischen Beutel



Beschriften Sie die Probenbeutel



Stecken Sie die Steckverbinder in die Spule



Legen Sie Proben in die Carbonbox



Stecken Sie die Steckverbinder in die Carbonbox



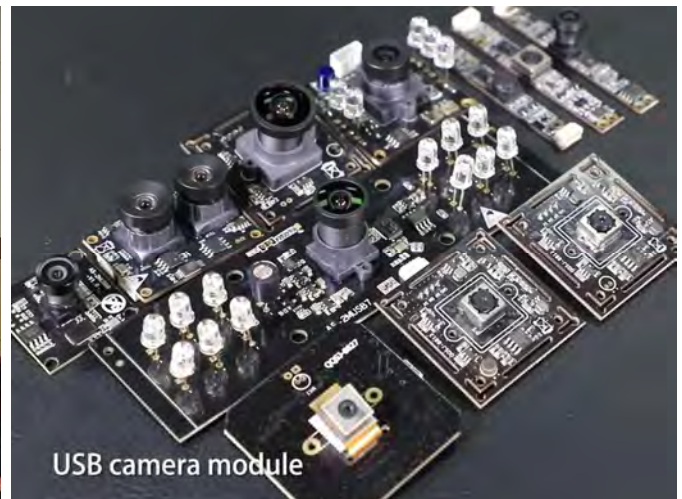


Firma YDSCAM

YingDeShun Co. Ltd. (YDS) wurde 2017 gegründet, ein technologieorientierter Hersteller der nächsten Generation, der sich auf Forschung, Design und Produktion von Audio- und Videoprodukten spezialisiert hat. YDS verfügt über 20.000 Quadratmeter große automatisierte Anlagen mit 100 Mitarbeitern und einem Jahresdurchsatz von 30.000.000 Kameraeinheiten.

YDS bietet OEM- und ODM-Design sowie Auftragsfertigung und baut die Kameraprodukte. Sie können uns die Anforderungen mitteilen, sogar mit einem Handentwurf. Unser Vertrieb und unsere Technik arbeiten zusammen, um Ihre Anforderungen zu erfüllen. Wir verstehen uns als Ihr langfristiger Partner bei der Entwicklung praktischer und innovativer Lösungen.

Unser Team deckt alles von der ersten Konzeptentwicklung bis zum Massenprodukt ab. YDS ist auf kundenspezifisches Kameradesign, Rohmaterial, Elektroniktechnik, Firmware-/Softwareentwicklung, Produkttests und Verpackungsdesign spezialisiert. Unsere erfahrenen strategischen Liefersysteme bieten eine robuste und zuverlässige Fertigungskapazität für Aufträge unterschiedlicher Größe.



Eingeschränkte Garantie

YDS gewährt die folgende eingeschränkte Garantie, wenn Sie das/die Produkt(e) direkt von der YDS-Firma oder über die YDS-Website www.YDSCAM.com erworben haben. Von anderen Verkäufern oder Quellen gekaufte Produkte fallen nicht unter diese eingeschränkte Garantie. YDS garantiert, dass die Produkte bei normalem Gebrauch für einen Zeitraum von einem (1) Jahr ab dem Datum, an dem Sie das Produkt erhalten („Garanzzeitraum“), frei von Material- und Verarbeitungsfehlern sind.

Für alle Produkte, die während der Garanzzeit wesentliche Material- oder Verarbeitungsfehler aufweisen oder entwickeln, wird YDS nach eigenem Ermessen entweder: (i) das/die Produkt(e) reparieren; (ii) das/die Produkt(e) durch ein/e neue oder generalüberholte(n) Produkt(e) ersetzen (wobei das/die Ersatzprodukt(e) vom identischen Modell oder einer gleichwertigen Funktion sein müssen); oder (iii) Ihnen eine Rückerstattung des Preises gewähren, den Sie für das/die Produkt(e) bezahlt haben.

Diese eingeschränkte Garantie von YDS beschränkt sich ausschließlich auf Reparatur und/oder Ersatz gemäß den oben dargelegten Bedingungen. YDS ist nicht zuverlässig oder verantwortlich für etwaige Folgeereignisse.





YDS CAMERA MODULE

your best camera partner

Unsere Unternehmensstärke

Leistungsstarke Fabrik



Professioneller Service



Versprochene Lieferung



www.YDSCAM.com sales@ydscam.com Phone (WeChat, QQ): (+86) 177 2732 6718

All rights reserved @ YingDeShun Co. Ltd. Specifications subject to change without notice.